

Application

The SSA-445 extruded aluminum sunshade is designed to provide distinctive style to a building's exterior while keeping the building cool and saving energy by reducing glare and thermal load. It is ideal for sustainable or 'green' building construction. The SSA-445 is available in a wide array of anodized and painted finishes including custom color matching.

Standard Construction

Material: Mill finish 6063-T5 extruded aluminum.

Outrigger: 4" high × 0.250" thick (102 × 6.4) plate with rounded front.

Blades: 45° × 0.085" thick (2.2) thick airfoil style.

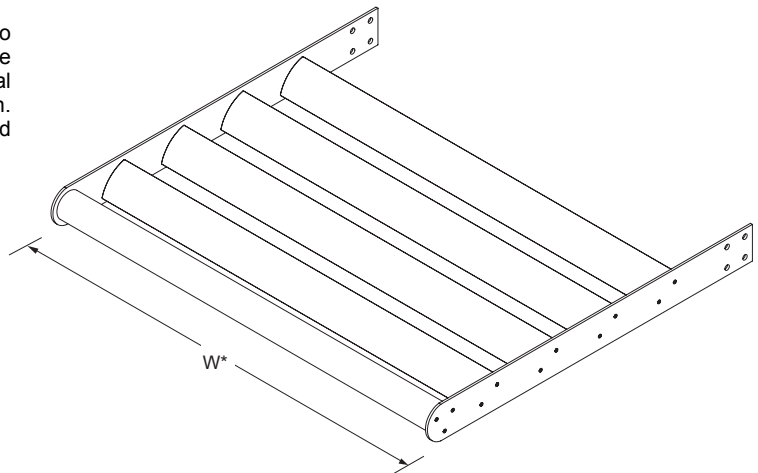
Fascia: 3" diameter × 0.081" thick (76 × 2.1) round tube.

Minimum Size: 12" (305) wide.

Maximum Size: Single section: 96" (2438) wide.
 Multiple section: Unlimited

Projection: 24" (610), 36" (914), 42" (1067), 48" (1219), and 60" (1524).

Mounting Bracket: Exposed.

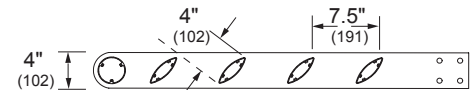


Model SSA-445
(standard)

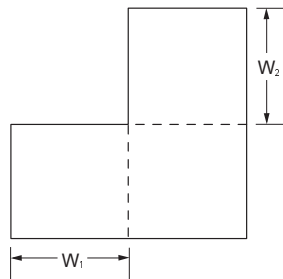
*Dimensions furnished net O.D.
 (Centerline of mounting bracket to centerline of mounting bracket).

Options

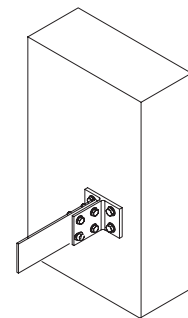
- Factory finish:
 - High Performance Fluoropolymer - 100% resin Newlar®/ 70% resin Kynar®
 - Baked Enamel
 - Clear Anodize
 - Integral Color Anodize
- Tapered (top and bottom) outrigger.
- Concealed mounting bracket.
- Strut connection.
- Shroud connection.
- 90° corner.



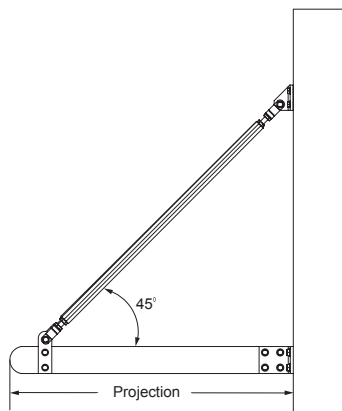
Horizontal Section



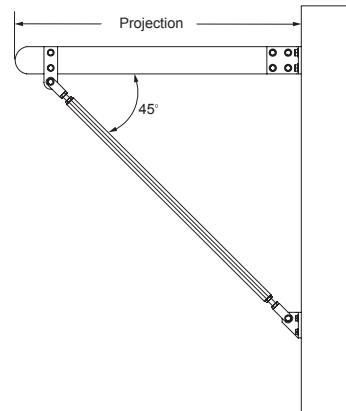
90° Corner



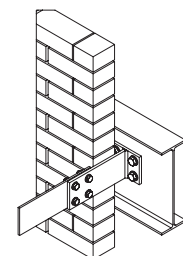
Exposed Mounting Bracket
(standard)



Shroud Connection
(optional)



Strut Connection
(optional)



Concealed Mounting Bracket
(optional)