

## General

The following guidelines provide basic assembly and installation instructions for standard All-Lite extruded aluminum horizontal J-blade vision screens. Most All-Lite standard equipment screens are designed to resist a 30 psf wind load.

1. Consult with the Engineer of record for the size, type, design load, and mounting structure.
2. Refer to job-specific submittal drawings for additional details when provided.
3. Carefully lift sections by lifting holes in stiffeners using multiple lifting points to avoid distortion, racking or damage. **Do not apply excessive force to a single point and NEVER LIFT UNITS BY BLADES.** Take necessary precautions to prevent marring the screen's finish.
4. Anchors and supporting structure are by others.

## Preparation

### Equipment Screens and Hardware

1. Locate all crates, boxes, cartons, etc.
2. Remove screens from packaging, inspect for damage, confirm quantities and sizes with packing list, and organize parts in order of installation. If installation hardware was ordered, it will typically be in a separate box.
3. Notify your All-Lite representative immediately of any shortages or shipping damage.

### Mounting Structure / Openings

1. Inspect mounting structure for damage, repair as needed, and remove obstructions and debris as required.
2. Verify that the structure is square, plumb, and that the louvers will fit properly prior to installation.

## Straight Sections & Boxed Corners

1. Locate all sections that pertain to the face of the structure they are to be installed on.
2. Place the edge of the end section flush with the end of the structure and mark the location of vertical stiffeners on the support structure's horizontal members. (See Figure 1).
3. Attach clip angles to vertical supports using #12 screws (F-1) by others, or supplied by All-Lite, along with clip angles. Only one screw per angle is required to attach the angle to the vertical stiffener.
4. Next, fasten the clip angles to the horizontal members using anchors (by others).
5. Repeat steps 1-4 for each section leaving a 0.25" gap in between sections. Make sure that each section's face is flush with adjacent sections.
6. If boxed corner covers are included, set a cover plate over the corner. The edges of the cover plate should overlap the screens' blades by 0.75". Attach the plate to the screens using #12 screw (F-1), supplied by All-Lite. The plates are pre-drilled for each blade to receive a screw. See Figure 1 for example.

## Mitered Corners

1. Locate all sections that pertain to the face of the structure they are to be installed on.
2. Start by placing the mitered section at the corner of the structure. Align the corner screen so that both angles are the same distance from each edge. (See Figure 2).
3. Mark the location of vertical stiffeners on the support structure's horizontal members.
4. Attach clip angles to vertical supports using #12 screws (F-1) by others, or supplied by All-Lite, along with clip angles. Only one screw per angle is required to attach the angle to the vertical stiffener.
5. Next, fasten the clip angles to the horizontal members using anchors (by others). Make sure that each section's face is flush with adjacent sections.
6. For each adjacent section, repeat steps 3-5 leaving a 0.25" gap in between sections. (See Figure 2).

**Table 1: Installation Hardware**

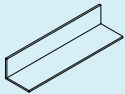
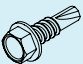
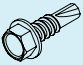
Part	Description		
A-1	Clip Angle (1-1/2" x 2" x 1/8" x 8" long; 6061-T6 Aluminum)		Optional by All-Lite
F-1	#12-14 x 3/4" Hex Head Self-Drilling Screw		Included with clip angles
F-2	Anchor to Structure		Supplied by others

Figure 1 - Straight Section & Box Corner

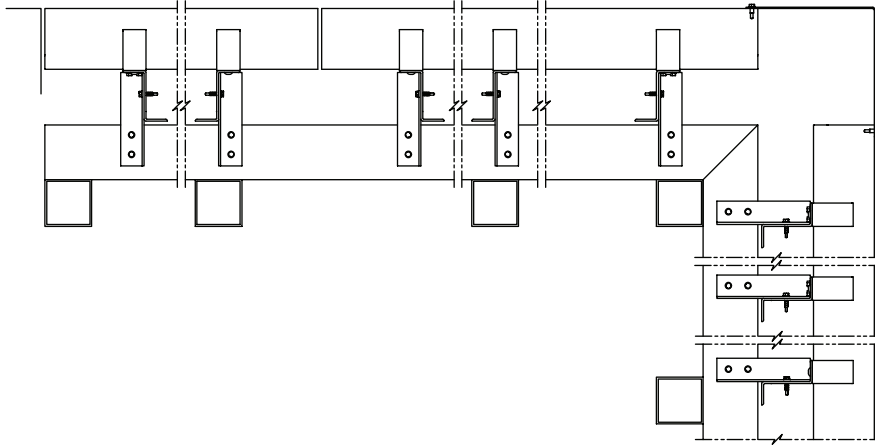


Figure 2 - Mitered Corner

