

ALL-LITE

HJ-445

Extruded Aluminum Sight Screen
4" deep • 45° Horizontal Inverted J-Blade

The HJ-445 inverted louver blade equipment screen provides an effective and attractive sight screen around equipment and is designed for both interior and exterior installations. The HJ-445 is available in a wide array of finishes including custom color matching.

Standard Construction

Material: Mill finish 6063-T5 extruded aluminum

Frame: 3-1/4" x 1-1/2" x 1/8" thick (83 x 38 x 3) zee support

Blades: 45° x 0.081" (2) thick J-style

Corner: Boxed (see back page for details)

Minimum Size: 20" x 10" (508 x 254)

Maximum Size: Single section: 60" x 120" (1524 x 3048)

120" x 60" (3048 x 1524)

Multiple section: Unlimited width x 120" (3048)

Options

■ Factory finish:

- Clear Anodize
- Baked Enamel
- High Performance Fluoropolymer
- Integral Color Anodize

■ Heavy duty 0.125" (3) construction

■ Hinged frame

■ Subframe

■ Custom sections

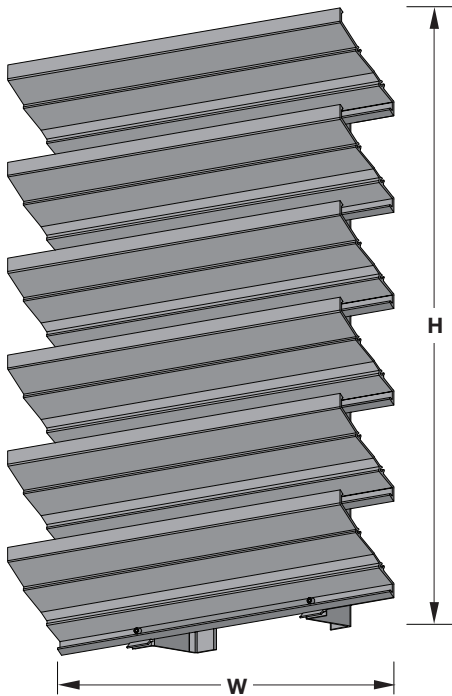
■ Miter corner (see back page for details)

■ Design Load: 60 psf

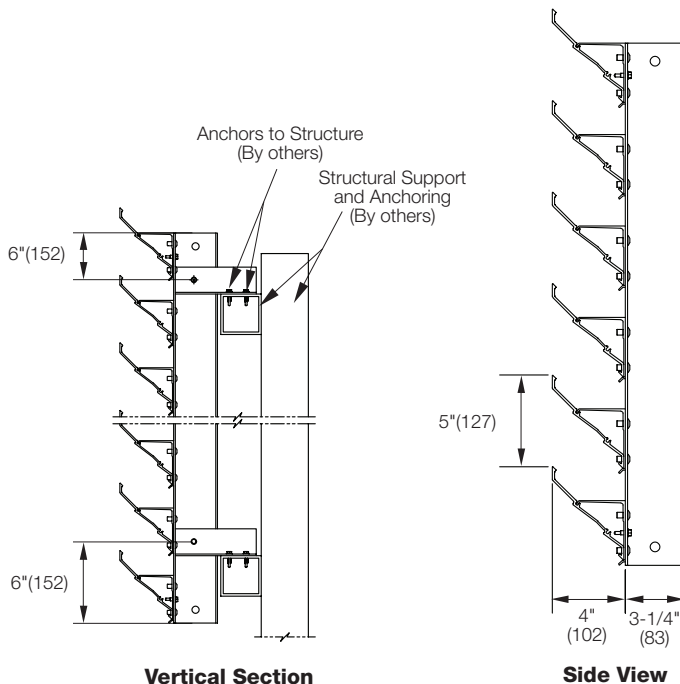
Ratings

Free Area: [48" x 48" (1219 x 1219) unit]: 8.46 ft² (0.79 m²)
52.9%

Design Load: 30 psf



HJ-445
(standard)



NOTE: Dimensions in parentheses () are millimeters.
Information is subject to change without notice or obligation.

Plan View

HJ-445

Extruded Aluminum Sight Screen
4" deep • 45° Horizontal Inverted J-Blade

