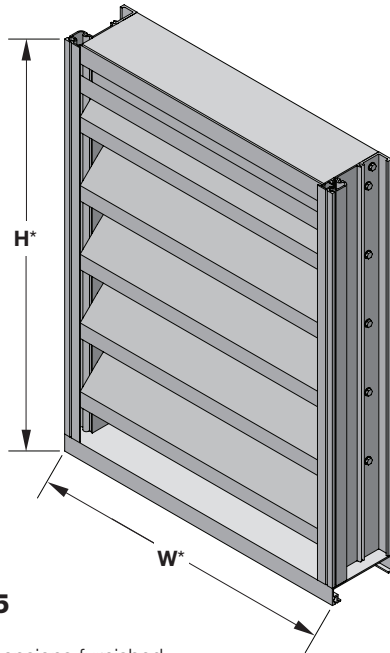


# ALL-LITE

## EBE-445

Extruded Aluminum Louver  
4" deep • 45° J-Blade BD-Exhaust



### EBE-445

(standard)

\*Louver dimensions furnished approximately 1/2" (13) undersize.

## Ratings

**Free Area:** [48" × 48" (1219 × 1219) unit]: 8.0 ft<sup>2</sup> (0.74 m<sup>2</sup>)  
50.1%  
(with damper blades in fully open position)

### Minimum Airflow for Damper Blades to Begin to Open

**Free Area Velocity:** 60 fpm (0.30 m/s)

**Air Volume Delivered:** 481 cfm (0.23 m<sup>3</sup>/s)

**Pressure Loss:** 0.06 in.wg. (16 Pa)

### Minimum Airflow for Damper Blades to Fully Open

**Free Area Velocity:** 1,200 fpm (6.10 m/s)

**Air Volume Delivered:** 9,621 cfm (4.54 m<sup>3</sup>/s)

**Pressure Loss:** 0.24 in.wg. (59 Pa)

**Velocity @ 0.15 in.wg. Pressure Loss:** 796 fpm (4.04 m/s)

**Std. Design Load:** 30 psf

The EBE-445 combination louver features stationary louver blades combined with an integral gravity operated backdraft damper to protect exhaust air openings in exterior walls. The EBE-445 is available in a wide array of anodized and painted finishes including custom color matching.

## Standard Construction

**Material:** Mill finish 6063-T5 extruded aluminum

**Frame:** 4" deep × 0.081" thick (102 × 2) channel

**Louver Blades:** 45° × 0.081" (2) thick J-style

**Damper Blades:** 0.060" (1.5) exhaust backdraft

**Screen:** 1/2" × 0.063" (12.7 × 1.6) expanded and flattened aluminum

**Mullion:** Visible

**Minimum Size:** 6" × 11" (152 × 279)

**Maximum Size:**

Single section: 60" × 120" (1524 × 3048)

Multiple section: Unlimited

## Options

### ■ Factory finish:

- High Performance Fluoropolymer
- Baked Enamel
- Prime Coat
- Clear Anodize
- Integral Color Anodize

### ■ Frame options:

- 1-1/2" (38) flange frame
- Custom size flange
- Stucco flange
- Glazing frame

### ■ Installation hardware

- Clip angles
- Continuous angles

### ■ Alternate bird or insect screens

### ■ Insulated or non-insulated blank-off panels

### ■ Filter racks

### ■ Hinged frame

### ■ Subframe

### ■ Head and/or sill flashing

### ■ Frame closure

### ■ Burglar bars

### ■ Net OD (actual size)

**5** year  
warranty

**NOTE:** Dimensions in parentheses ( ) are millimeters.  
Information is subject to change without notice or obligation.

# PERFORMANCE

## EBE-445

Extruded Aluminum Louver  
4" deep • 45° J-Blade BD-Exhaust

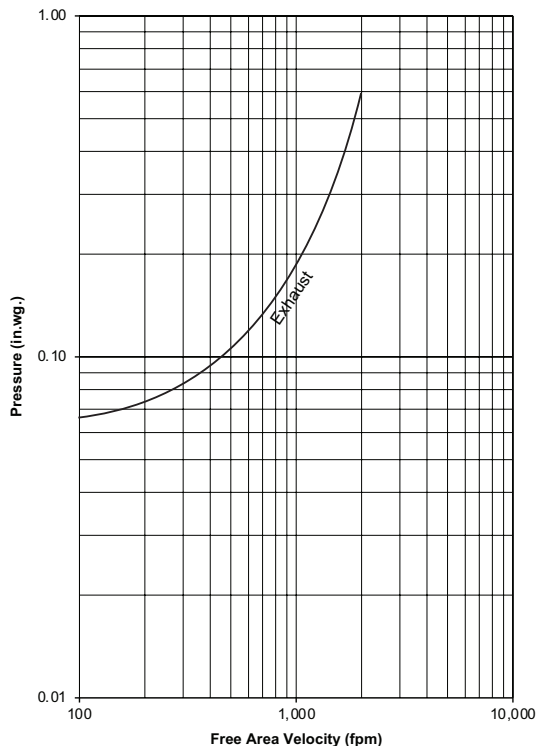
### Free Area (ft<sup>2</sup>)

Width (Inches)

	6	12	18	24	30	36	42	48	54	60
12	0.1	<b>0.3</b>	0.5	0.7	0.8	1.0	1.2	1.4	1.6	1.7
18	0.2	0.5	<b>0.8</b>	1.1	1.3	1.6	1.9	2.2	2.5	2.8
24	0.3	0.8	1.2	<b>1.7</b>	2.2	2.7	3.1	3.6	4.1	4.5
30	0.4	1.0	1.5	2.1	<b>2.7</b>	3.3	3.9	4.4	5.0	5.6
36	0.5	1.3	2.0	2.8	3.5	<b>4.3</b>	5.0	5.8	6.6	7.3
42	0.6	1.4	2.3	3.2	4.0	4.9	<b>5.8</b>	6.6	7.5	8.4
48	0.7	1.7	2.8	3.8	4.9	5.9	7.0	<b>8.0</b>	9.1	10.1
54	0.8	1.9	3.1	4.2	5.4	6.5	7.7	8.9	<b>10.0</b>	11.2
60	0.9	2.2	3.6	4.9	6.2	7.6	8.9	10.2	11.6	<b>12.9</b>
66	1.0	2.4	3.9	5.3	6.7	8.2	9.6	11.1	12.5	14.0
72	1.1	2.7	4.3	6.0	7.6	9.2	10.8	12.4	14.1	15.7
78	1.2	2.9	4.6	6.4	8.1	9.8	11.6	13.3	15.0	16.7
84	1.3	3.2	5.1	7.0	8.9	10.8	12.7	14.7	16.6	18.5
90	1.3	3.4	5.4	7.4	9.4	11.5	13.5	15.5	17.5	19.5
96	1.5	3.7	5.9	8.1	10.3	12.5	14.7	16.9	19.1	21.3
102	1.5	3.9	6.2	8.5	10.8	13.1	15.4	17.7	20.0	22.3
108	1.7	4.1	6.6	9.1	11.6	14.1	16.6	19.1	21.6	24.1
114	1.7	4.3	6.9	9.5	12.1	14.7	17.3	19.9	22.5	25.1
120	1.9	4.6	7.4	10.2	13.0	15.7	18.5	21.3	24.1	26.9

Height (Inches)

### Pressure Loss



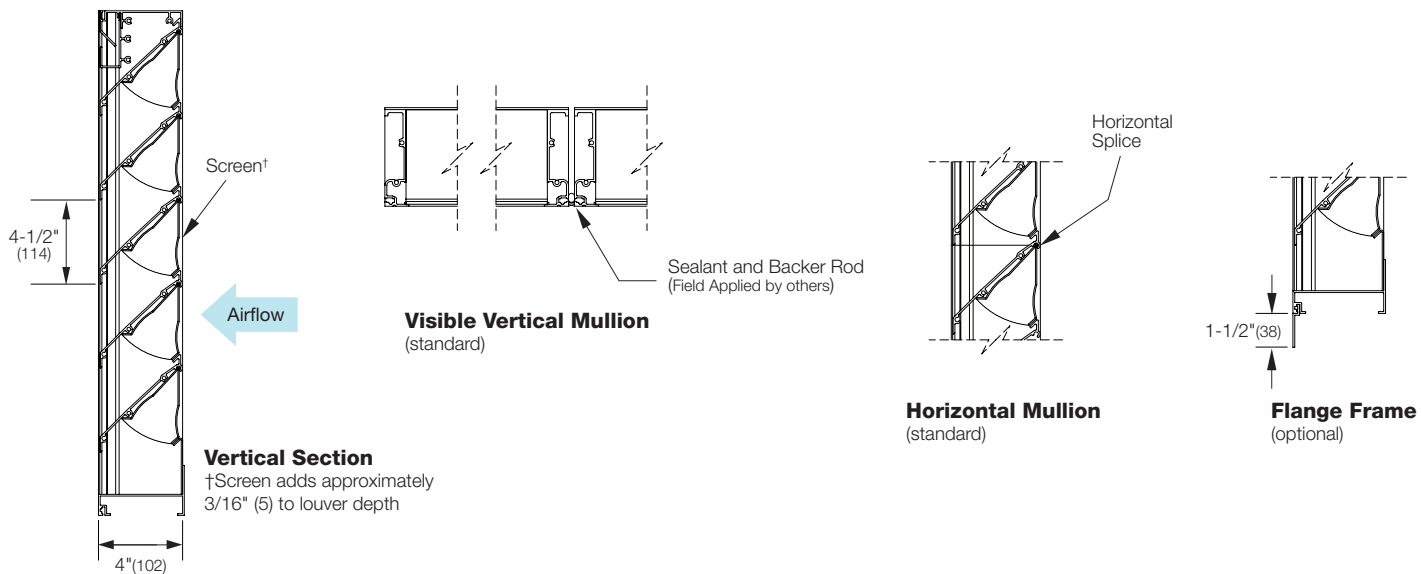
Louver Test Size = 48" x 48" (1219 x 1219)

Pressure loss tested in accordance with Figure 5.5 of AMCA Standard 500-L. Data corrected to standard air density.

# EBE-445

Extruded Aluminum Louver  
4" deep • 45° J-Blade BD-Exhaust

## Attributes



## Supplemental Options

