

Application

The Angular grille is ideally suited for architectural accents, facades, screening, and security barriers and is designed for both interior and external installations. The Angular grille is available in a wide array of finishes including custom color matching.

Standard Construction

Material: 6063-T5 extruded aluminum.

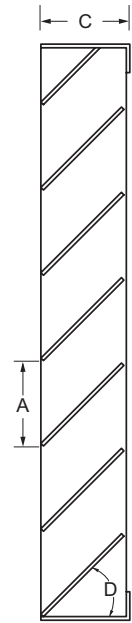
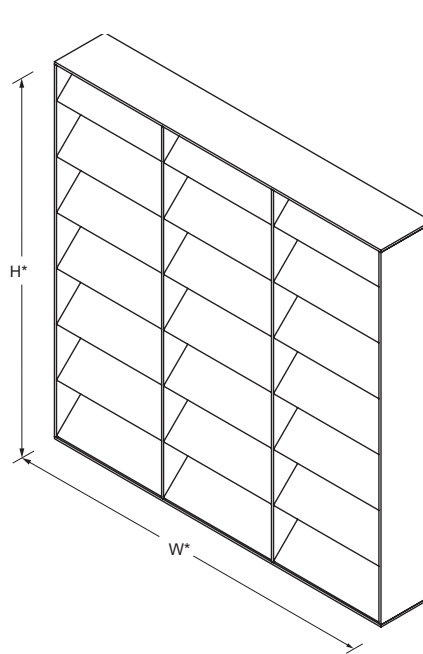
Frame: 0.125" (3.175) thick.

Minimum Size: 12" x 12" (305 x 305).

Maximum Size: Single section: 60" x 180" (1524 x 4572)
One Dimension must be 60" (1524) or less.

Options

- Factory finish:
 - High Performance Fluoropolymer - 100% resin Newlar®/ 70% resin Kynar®
 - Baked Enamel
 - Clear Anodize
 - Integral Color Anodize
 - Prime Coat
- Alternate Frame:
 - Flanged
 - Channel



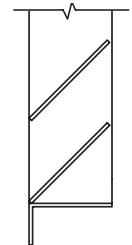
Model **ANGULAR**
(standard)

*Grille dimensions furnished approximately 1/2" (13) undersize.

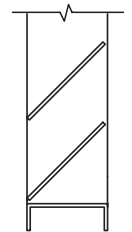
Vertical Section



Plan Section



Flanged Frame
(optional)



Channel Frame
(optional)

Dimension	Description
A _____ inches	Horizontal Blade Space - Minimum 2" (51)
B _____ inches	Vertical Blade Space - Minimum 2" (51)
C _____ inches	Grille Depth - Minimum 2" (51), Maximum 8" (203)
D _____ degrees	Degree of Blade Slope - Maximum 45°

The illustrated design for this Angular grille was created to a design load of 30 lbs per square foot. Changes may be required to accommodate other design loads.